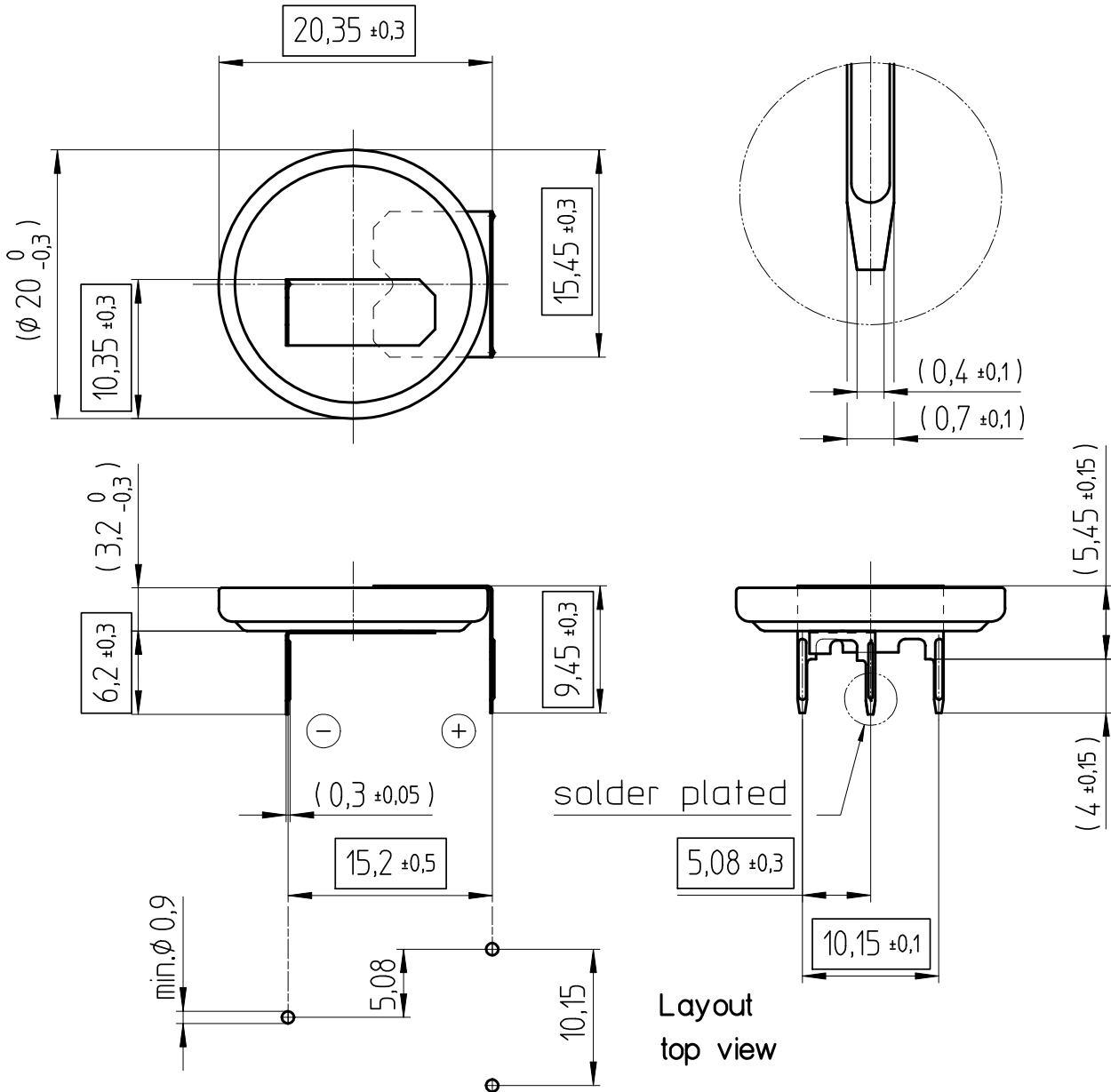


Art.-Number: 701604



Tab material: Stainless steel

All framed values will be used for dimension checking !

The Products of Renata SA are neither designed nor authorized for use in certain areas of application of environment. For further details we refer to our webpage: www.renata.com/downloads/restriction_of_use

| | | | | | | | | | | | |
|---------------|---|------------|-----|--------------------------------|---|---|---|--------------|---------------------|----------|-----|
| Rev. | ① | 13.09.2019 | SRi | Rev. | ⊙ | . | . | | Customer's Approval | | |
| Rev. | ⊙ | . | . | Rev. | ⊙ | . | . | | Date | | |
| Rev. | ⊙ | . | . | Rev. | ⊙ | . | . | | Signature | | |
| Titel: | | | | | | | | Scale 2:1 | Drawn | 15.08.06 | SRi |
| CR2032 MFR RH | | | | | | | | | Checked | 13.09.19 | HSn |
| | | | | | | | | | Approved | 16.09.19 | MDi |
| | | | | CH-4452 Itingen Switzerland | | | | 3.9097.4-1 | | | |

- Samples can deviate in the execution from the serie.

- Dimensions and tolerances can be specified only after the testing of the devices for the mass production definitely